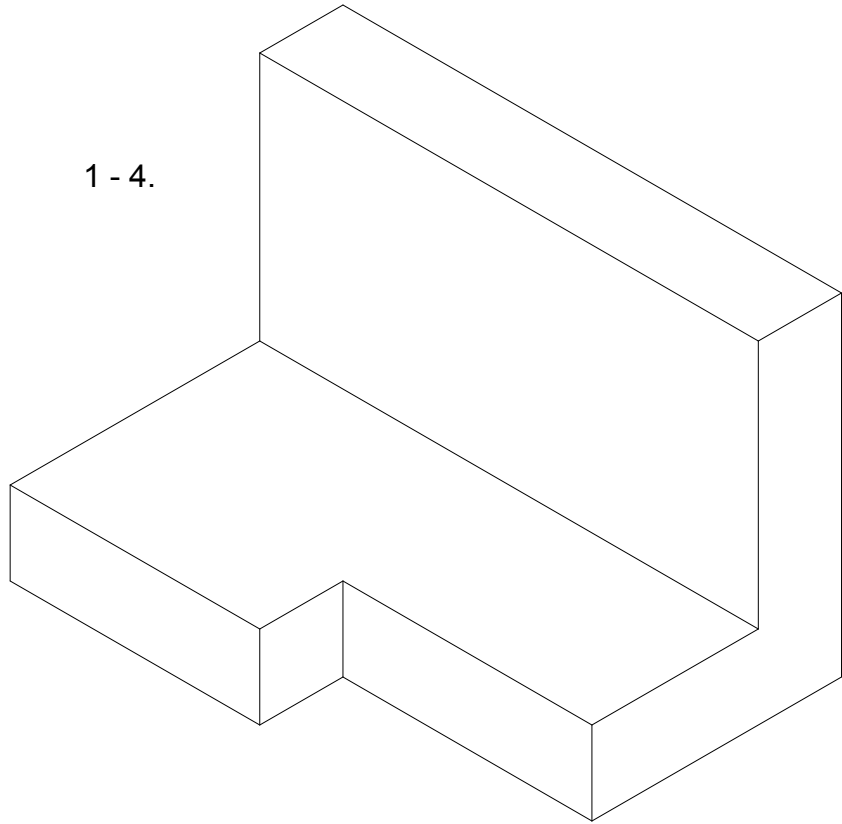
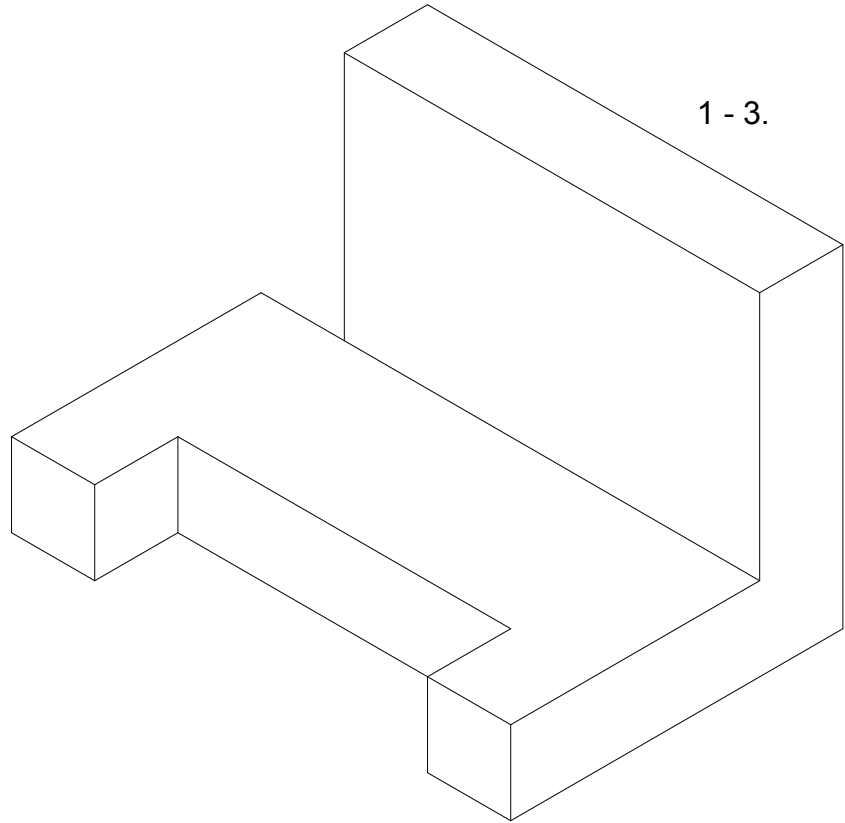


1 - 4.



1 - 3.



# STEVENSON HIGH SCHOOL

TECHNOLOGY EDUCATION DEPARTMENT  
TECHNICAL DRAWING PROGRAM

DRN BY: Jeremy Diamond

DATE:

SCALE:

1

1